

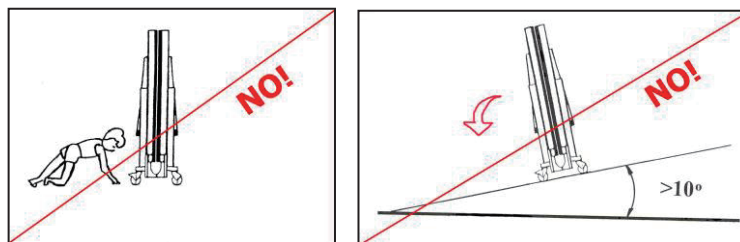
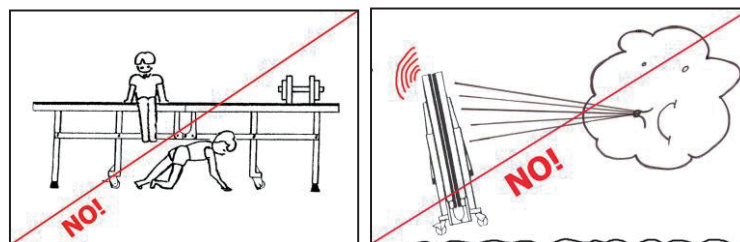
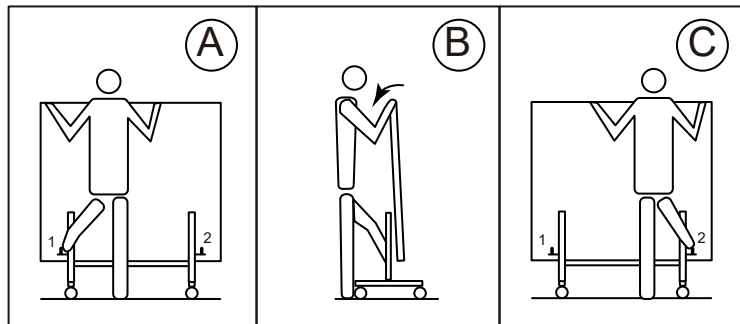
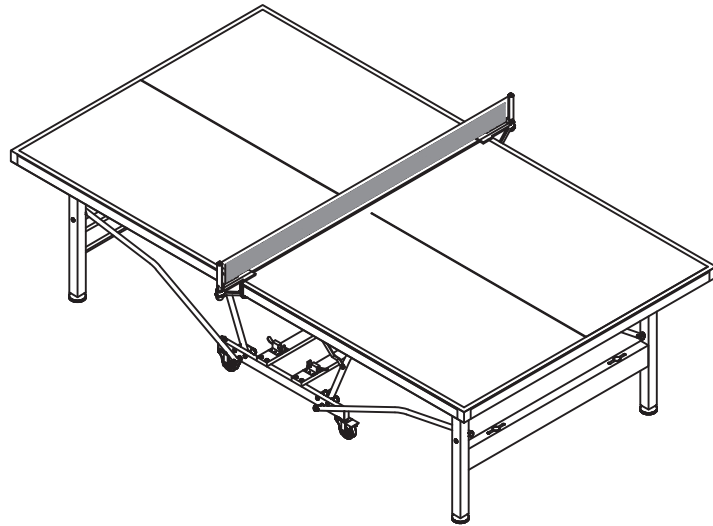
JOOLA®

Art. 11890 JOOLA TT-TABLE BLACK OUTDOOR

Scan code or enter url
to download app

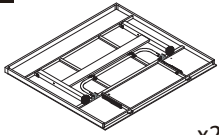
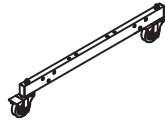
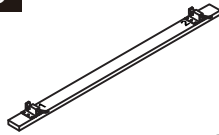

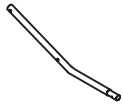
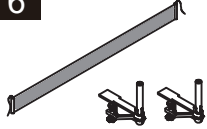


bit.ly/3GtUBtR



EN 14468-1



| | | | | |
|---|---|---|--|---|
| <p>1</p>  <p>x2</p> <p>N/A</p> | <p>2</p>  <p>x2</p> <p>R-3-11890-01-110</p> | <p>3</p>  <p>x2</p> <p>R-3-11890-02-110</p> | <p>4</p>  <p>x4</p> <p>R-3-11890-03-110</p> | <p>5</p>  <p>x4</p> <p>R-3-11890-04-110</p> |
| <p>6</p>  <p>x1</p> <p>R-3-11890-05-110</p> | | | | |

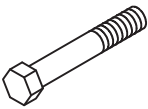
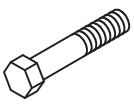
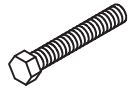


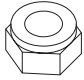










| | | | | |
|--|--|---|---|--|
| <p>H1</p>  <p>M10 x 110mm</p> <p>x4</p> <p>R-3-11890-41-110</p> | <p>H2</p>  <p>M10 x 75mm</p> <p>x8</p> <p>R-3-11890-42-110</p> | <p>H3</p>  <p>M8 x 85mm</p> <p>x4</p> <p>R-3-11890-43-110</p> | <p>H4</p>  <p>M6 x 80mm</p> <p>x8</p> <p>R-3-11890-44-110</p> | <p>H5</p>  <p>M6 x 50mm</p> <p>x4</p> <p>R-9-11174-41-110</p> |
| <p>H6</p>  <p>M10</p> <p>x12</p> <p>R-3-11890-45-110</p> | <p>H7</p>  <p>M8</p> <p>x4</p> <p>R-0-11200-44-110</p> | <p>H8</p>  <p>M6</p> <p>x12</p> <p>R-9-11174-43-110</p> | <p>H9</p>  <p>M10 Plastic (20x13mm)</p> <p>x4</p> <p>R-3-11890-46-110</p> | <p>H10</p>  <p>M10 Plastic (20x2mm)</p> <p>x32</p> <p>R-3-11890-47-110</p> |
| <p>H11</p>  <p>M8 Plastic (16x2mm)</p> <p>x12</p> <p>R-0-7889-42-110</p> | <p>H12</p>  <p>M8 Plastic (16x8mm)</p> <p>x4</p> <p>R-3-11890-48-110</p> | <p>H13</p>  <p>M6 Plastic (12x2mm)</p> <p>x24</p> <p>R-3-11890-49-110</p> | <p>H14</p>  <p>M3 x 12mm</p> <p>x4</p> <p>R-3-11890-50-110</p> | <p>H15</p>  <p>x8</p> <p>R-3-11890-51-110</p> |
| <p>H16</p>  <p>x4</p> <p>R-3-11890-52-110</p> | <p>H1+H2+H3+H4+H5+ H6+H7+H8+H9+H10+ H11+H12+H13+H14+ H15+H16</p> <p>R-3-11890-40-110</p> | | | |

FIG.1

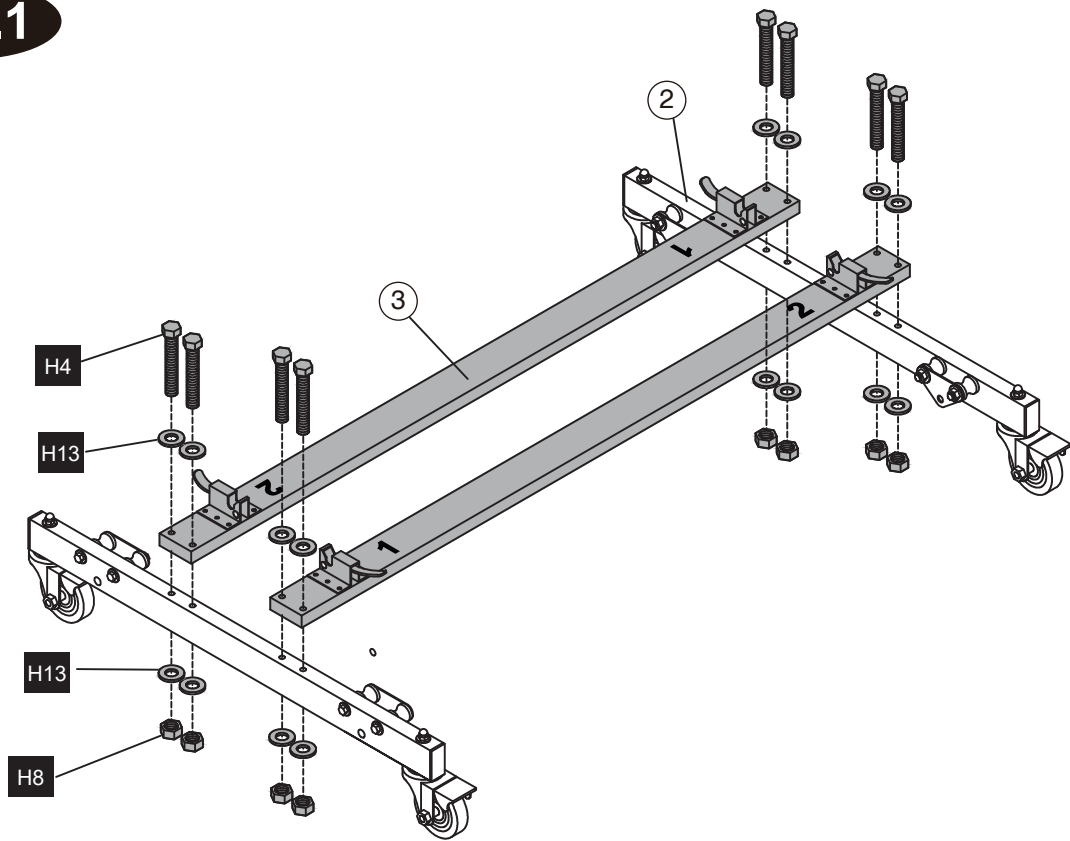


FIG.2

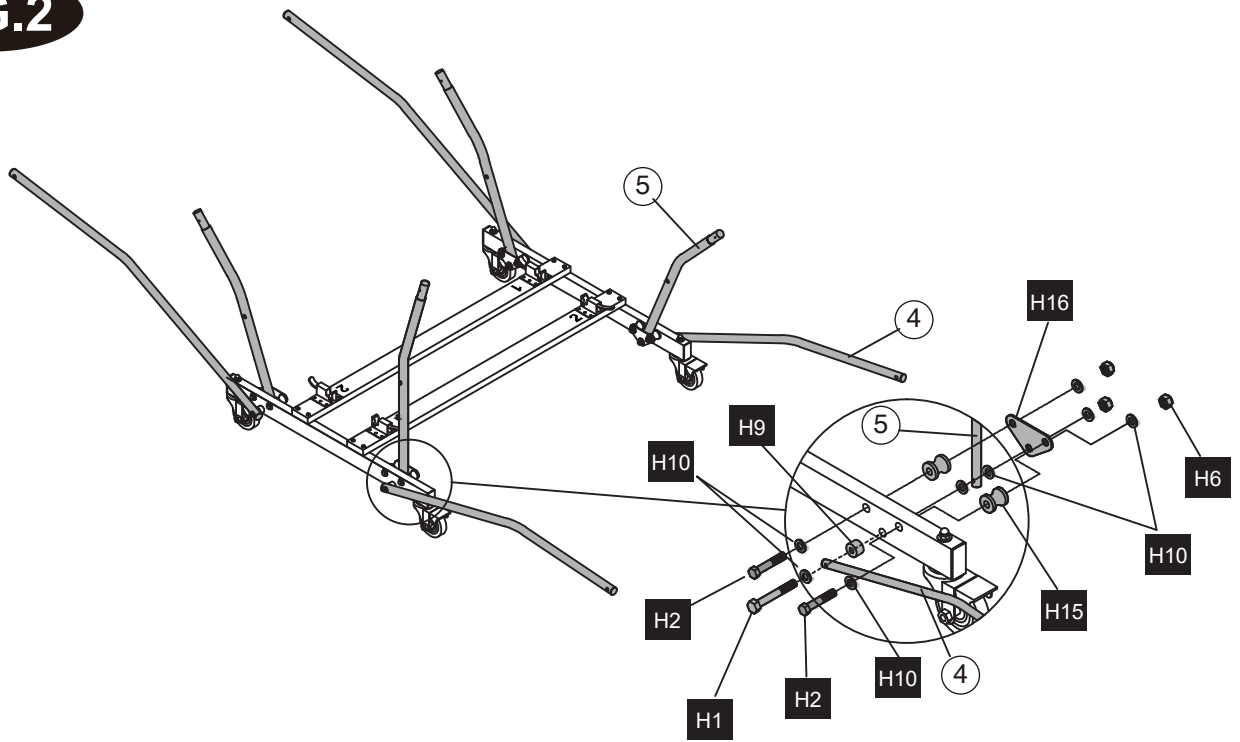


FIG.3

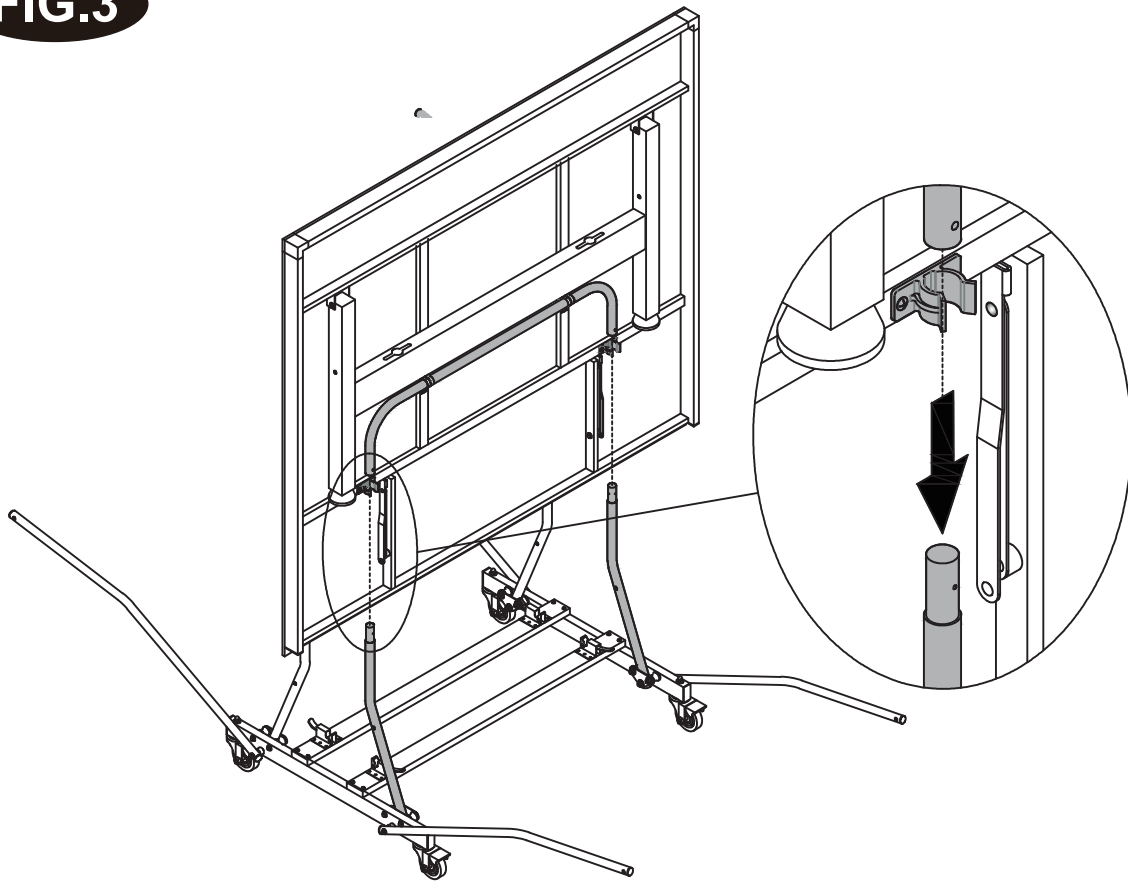


FIG.4

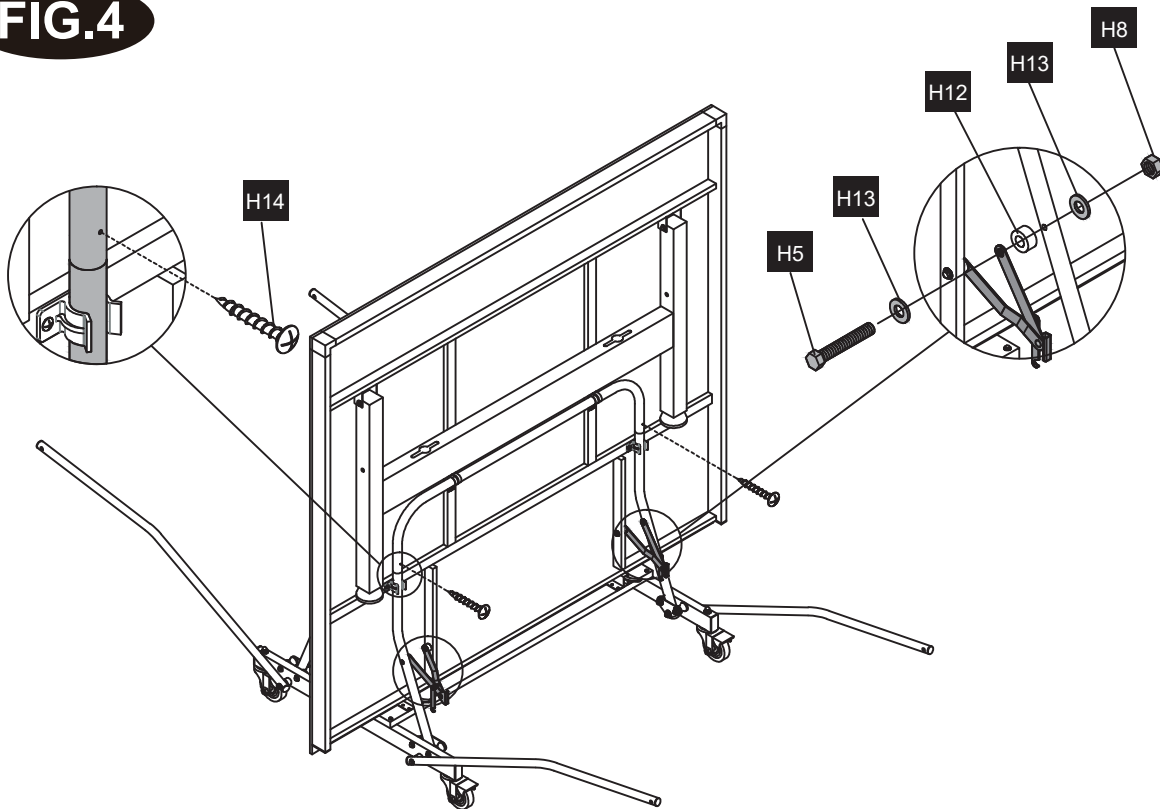


FIG.5

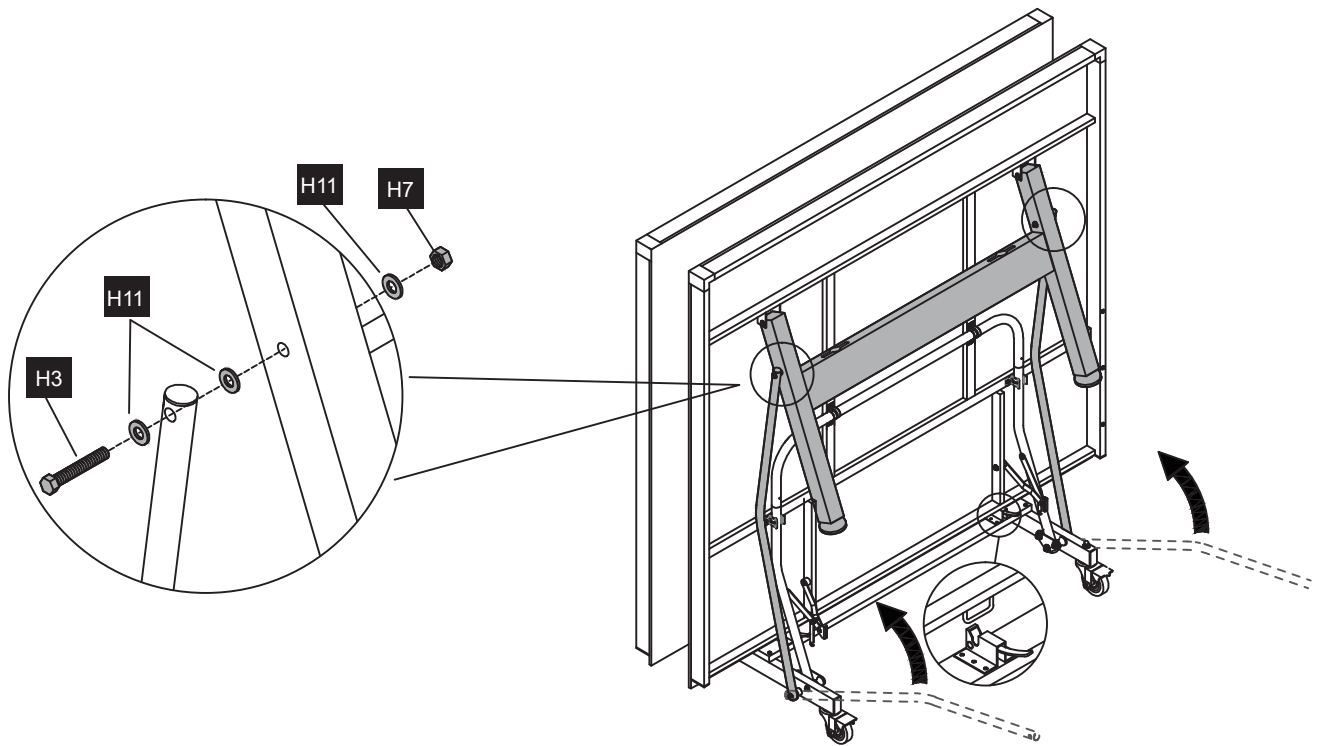


FIG.6

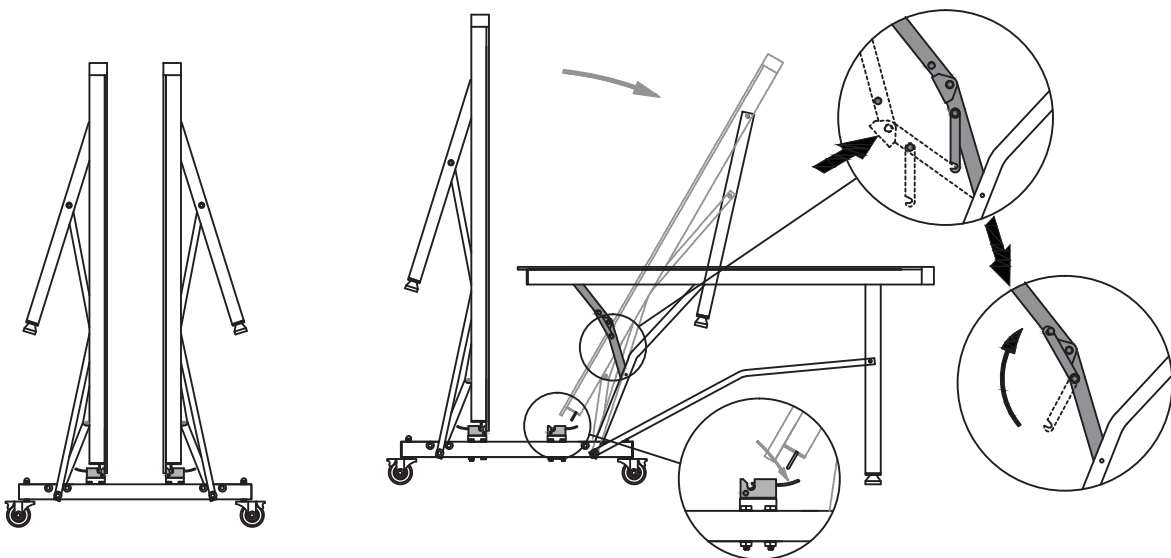


FIG.7

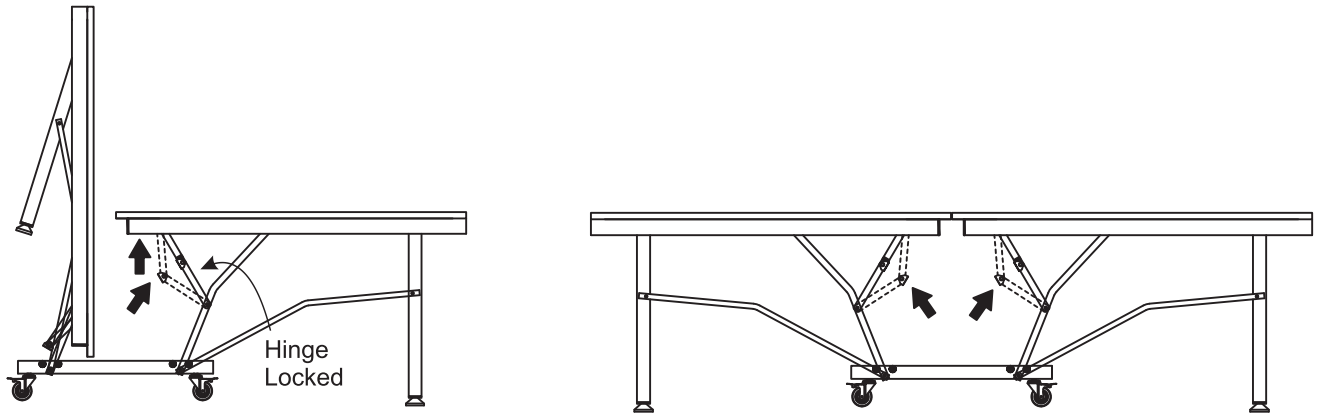


FIG.8

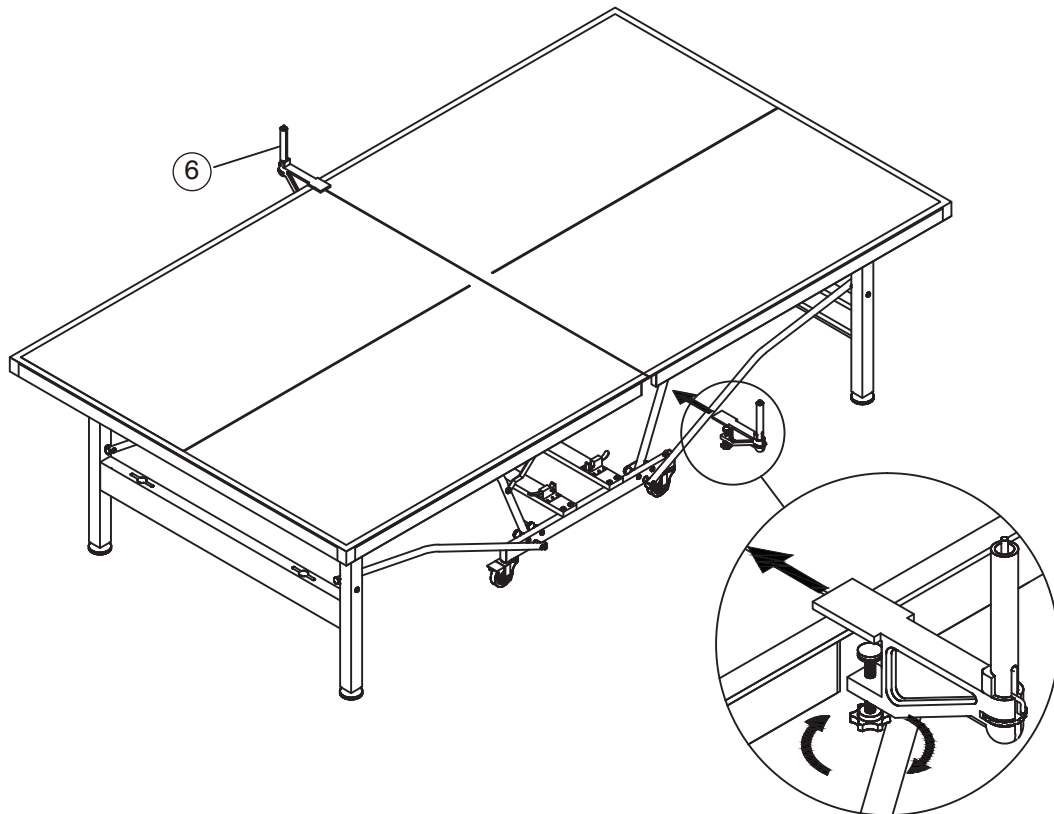


FIG.9

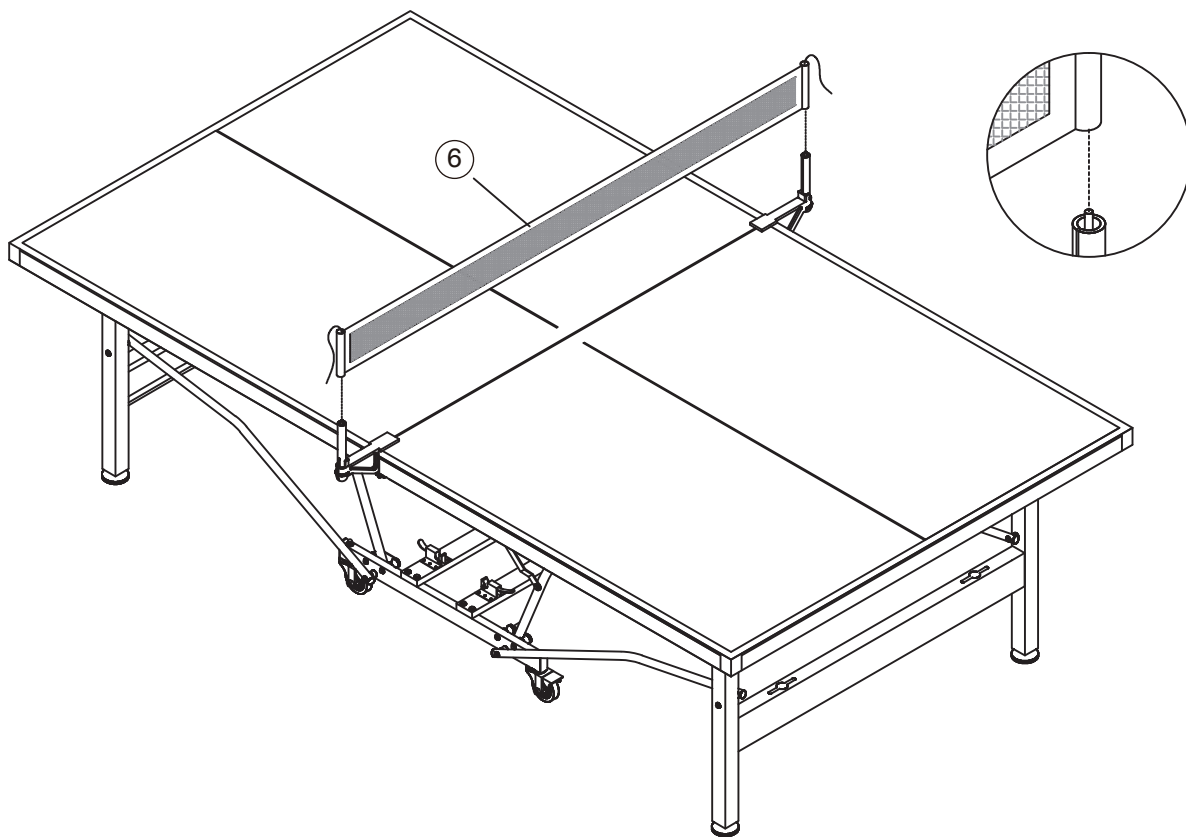
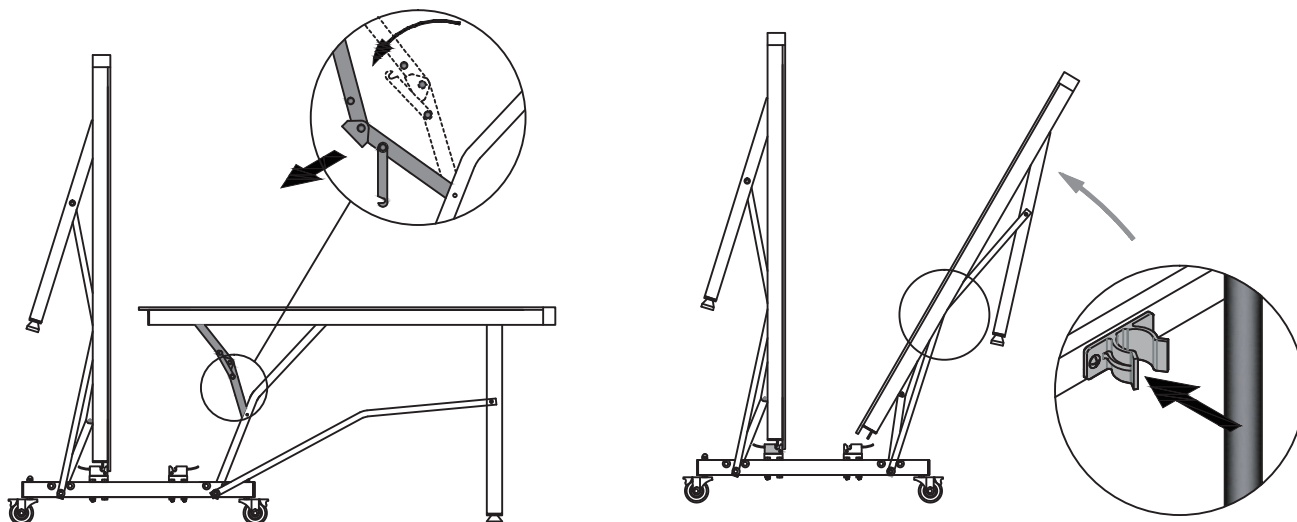
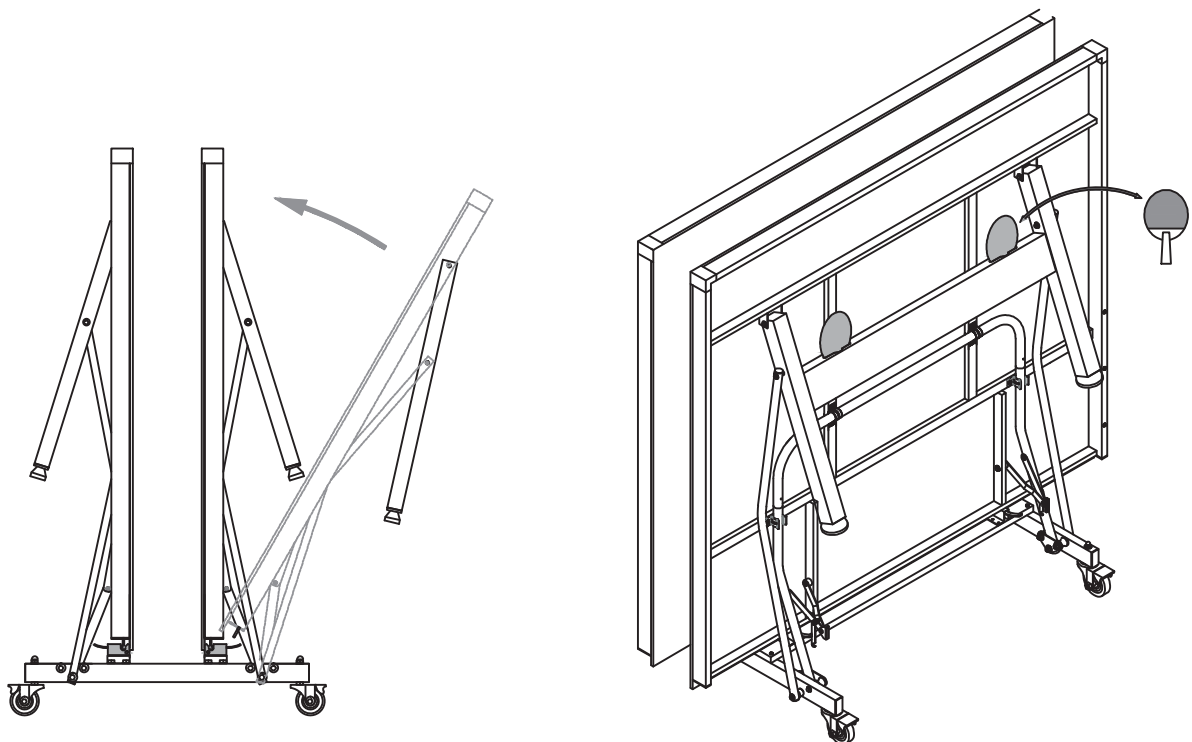


FIG.10



WARNING: To be safe, the tube must nap into the catch when you fold it up, otherwise the table will be unstable!

FIG.11



LESSONS FROM PROS

FUN GAME IDEAS

CHECK OUT THE LATEST PRODUCTS

WATCH THE BEST IN TABLE TENNIS ACTION

SCAN QR CODE OR ENTER URL TO DOWNLOAD THE FREE APP
Download the app or visit infinity.joola.com for more details